

**DRIACONTI-T<sup>®</sup>**  
for continuous soft-sugar coating applications



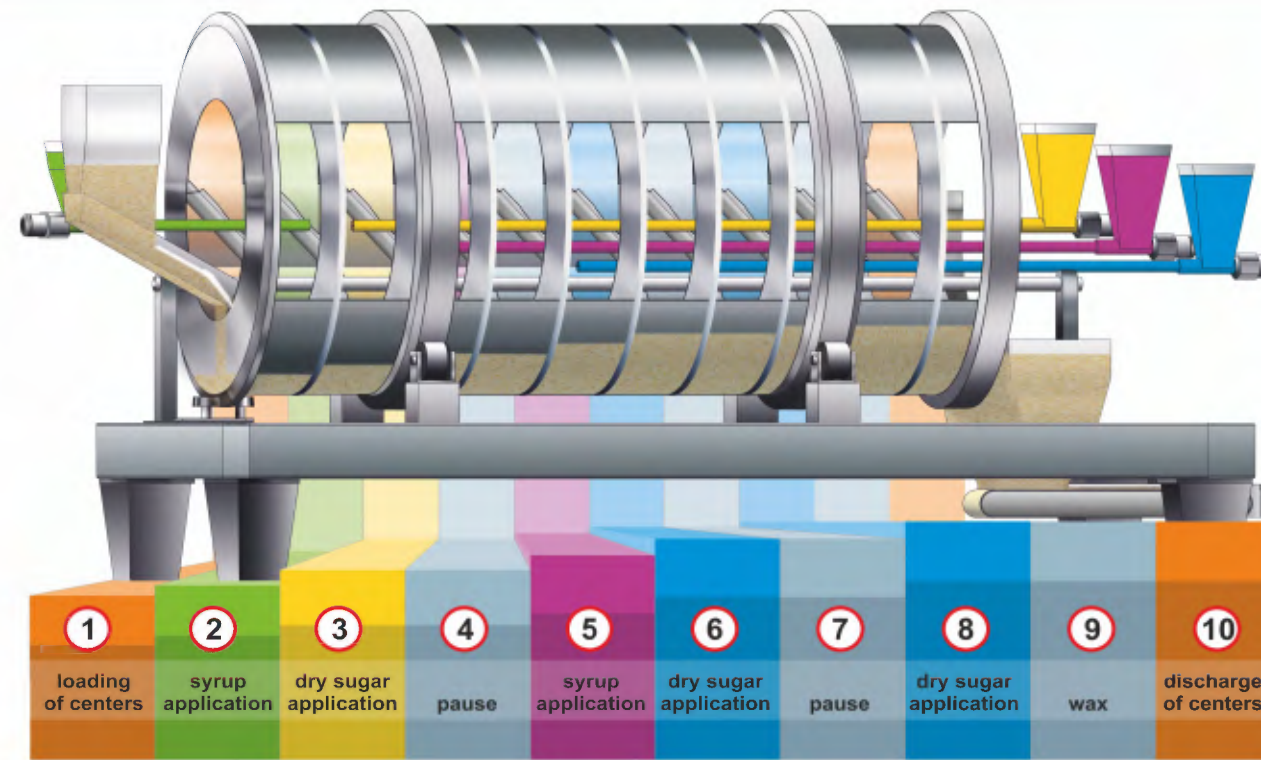
**DRIAM offers the only automated solution for continuous soft-sugar coating. The patented DRIACONTI-T continuous coater is ideal for automated production of soft-sugar products such as a jelly beans or similar products.**



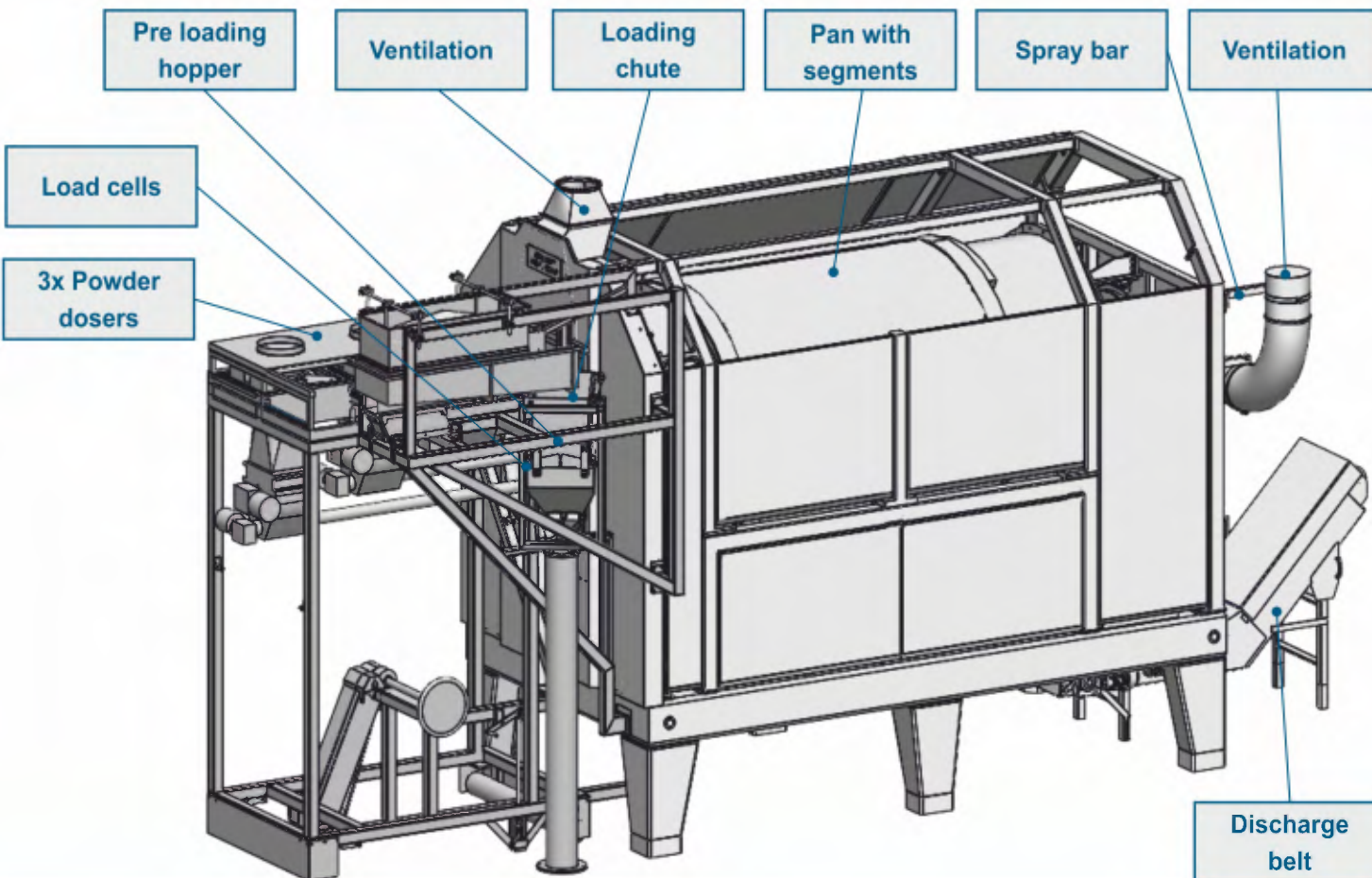
# DRIACONTI-T® for continuous soft-sugar coating applications

The state-of-the-art DRIACONTI-T continuous coater applies various layers of soft sugar coating within one single system.

This innovative technology replaces conventional panning technology by completely automating the soft sugar coating process. Typically, soft sugar coating is very laborious using conventional methods, but with this advanced coating technology manual labor is eliminated.



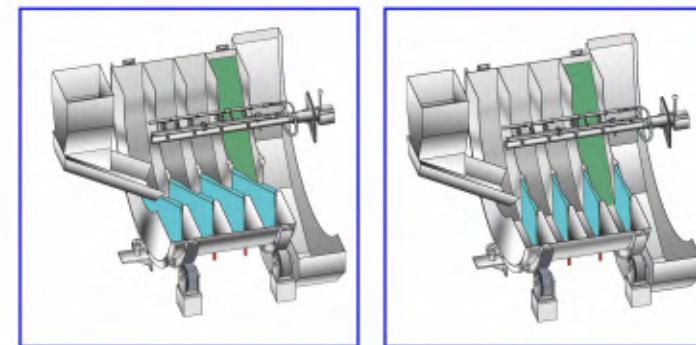
The DRIACONTI-T is capable of handling many different coating steps. They are dedicated to the individual chambers



The DRIACONTI-T is recipe driven and tailored to your specific application. Accurate dosing of liquids and solids increases product quality while improving reproducibility. The efficiencies gained using this continuous coating technology greatly reduce labor and overall manufacturing costs.

### Process & transportation phases

In the process phase of the coating operation the mini-batches are treated in each individual chamber for a set time. The chamber flaps are then opened to allow each mini-batch to move into the next chamber for the next coating step.



Transportation Phase

Process Phase



### Functional principle of the DRIACONTI-T®

The drum of the DRIACONTI-T continuous coater is separated into individual chambers which allow for a separate processing step to take place in each section. Each section is created by rigid walls providing for the product to be mixed, dried, and coated. The ability to control the flow of the product in the process grants a great coating uniformity and flexibility.

One of the biggest advantages is that one has the capability to apply various ingredients to a pressure sensitive product in a continuous process.

Transport flaps in the coating system open simultaneously and the flaps create a helix in the drum which moves the product to the next coating step in one turn of the drum. The DRIACONTI-T technology is capable to produce at a rate of over 2000 kg per hour depending on the coating application.

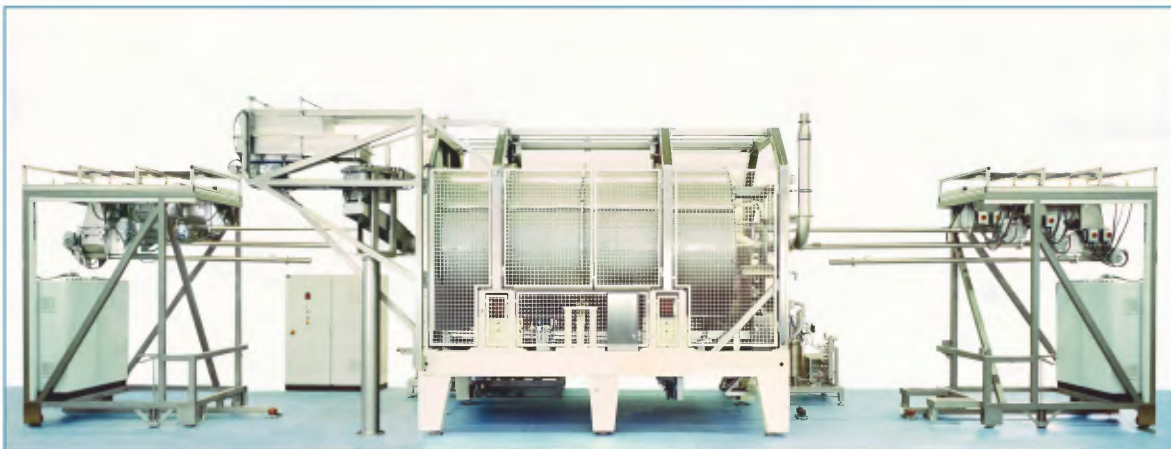
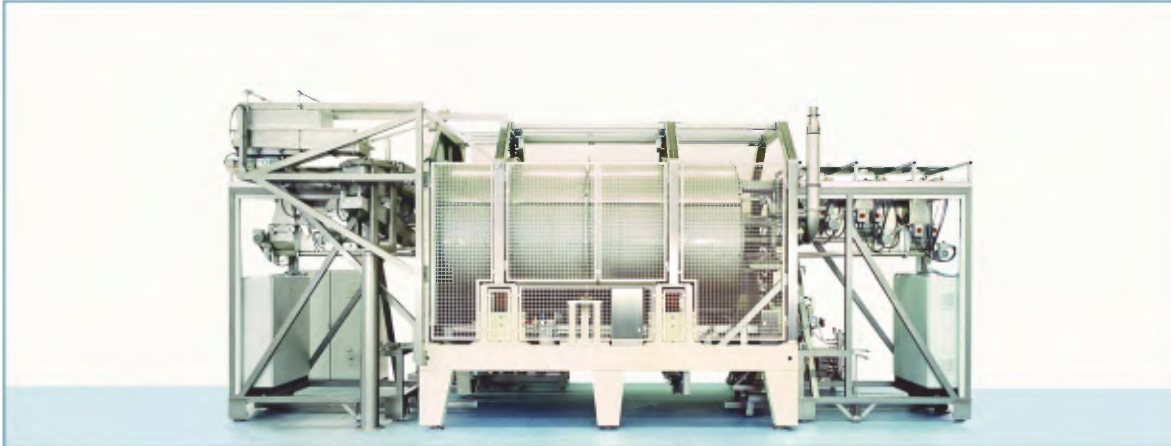
There is no other continuous coating technology known to manufacture such products in such an automated mode and at such a capacity.



# DRIACONTI-T® for continuous soft-sugar coating applications



The DRIACONTI-T continuous coater requires minimal floor space while achieving a high throughput. All coating materials are fed by spray bars or powder feeders which are completely automated. The dosing devices accurately distribute the necessary ingredients which are driven by the recipe parameters.



*The powder dosing and liquid spraying devices are easily removable for inspection, maintenance and cleaning*

## **Customers enjoy these benefits by using the DRIACONTI-T technology:**

- Patented continuous coater ideal for soft sugar coating applications
- High degree of automation greatly reduces labor costs
- Tight process control increases process reproducibility
- Very reliable and working on a 24/7 operation
- Low maintenance demands
- High throughput and efficient application of ingredients
- Minimal floor space required
- Hygienic design meets all GMP requirements