

**The Batch Coater - DRIACOATER®**  
for film coating and suspension applications



**DRIAM Anlagenbau GmbH**  
Aspenweg 19-21, D - 88097 Eriskirch a. B.  
phone +49 (7541) 9703-0  
[info@driam.com](mailto:info@driam.com)



# The Batch Coater - DRIACOATER® for film coating and suspension applications

## DRIACOATER® DRC1200-1900

The DRIACOATER is a highly efficient coating system which is designed to fulfill the demands of the pharmaceutical industry while meeting all cGMP requirements.

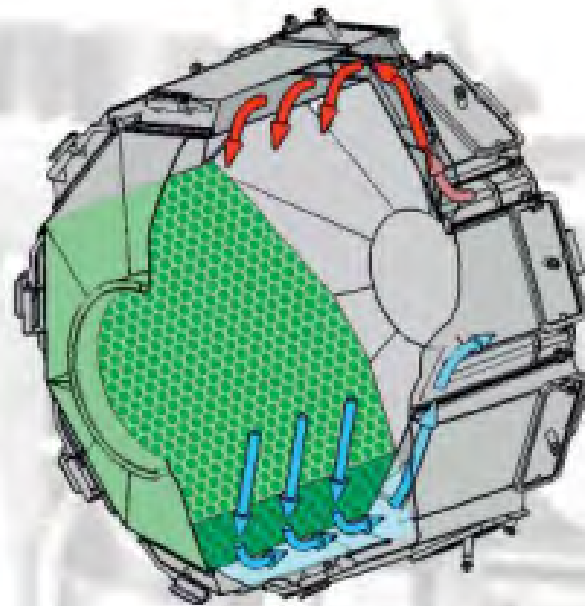
Various options systems for film or suspension coating applications and an explosion-proof execution for working with organic solvents are available. The processing equipment and all peripheral equipment such as the air handling, exhaust, solution tanks, dosing pumps, controls etc. can be made to your specification.

### Process and air handling in the DRIACOATER

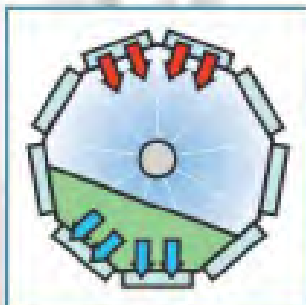
The air handling system has a tremendous impact on the coating quality, efficiencies and overall operating costs. Therefore the DRIACOATER has a state-of-the-art air flow system that takes nearly 100% of the conditioned process air from the air handler and applies it evenly to all products being coated.

This efficiency is achieved by utilizing putting air channels on the perforated sections of the drum to force air through the entire product bed.

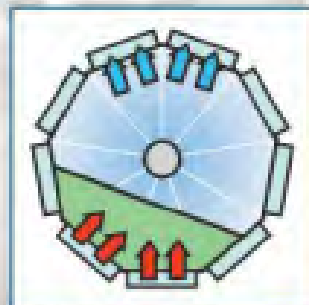
The added level of control over the process air in the DRIACOATER reduces the coating process time and provides substantial cost savings over the entire life of the machine.



**Direct air flow**  
The air is forced from the top of the drum through the product bed



**Reverse air flow**  
The air is forced from the bottom of the drum through the product bed



### Process Control DRIAMATIC

Control for coating process is done by a programmable logic controller, illustrated with master IPC for:

- Documentation
- Process monitoring
- Visualization
- Flexible data administration



### Loading

Various systems are available your requirements



### Discharge

By scoops which are placed inside the drum the tablets are efficiently discharged into a hopper.



### HEWIP-High Efficiency Washing In Place

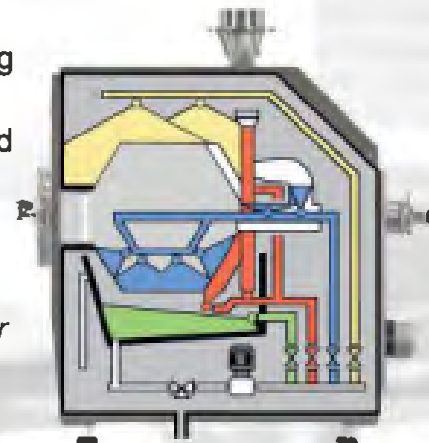
By its design and efficiency, the DRIACOATER cleaning system, which has been optimized over many years, takes the demands of a high level pharmaceutical cleaning system into account. Safe and automatic cleaning of the installation is guaranteed by using strategically placed spray nozzles to clean all necessary inner and outer surfaces of the pan. Efficient recipe driven automation ensures thorough and consistent cleaning. Once the drying phase is complete, the coater is ready for the next batch.

During the cleaning process the air ducts are completely removed. The perforated pan rotates in the washing chamber of the machine which completely cleans the surface of the pan. All surfaces are presented to the cleaning nozzles for the entire cleaning process and finished with the drying step.

### Cleaning process

The recipe driven cleaning procedure of the DRIACOATER is divided into a few basic steps.

1. Drum inside by cleaning spray arm
2. Drum outside and air distribution system
3. Air channels inside
4. Rinsing of cleaning tub



A user friendly graphic display allows for easy supervision of the process from the master IPC.



### Hygiene air ducts

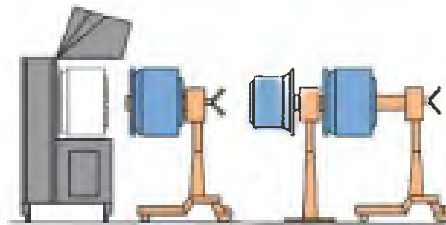
The air ducts can easily be removed for the cleaning procedure to accelerate the cleaning process.



**DRIACOATER DRC500/600 vario**

is a lab coater for film and suspension coating of tablets, capsules, granules, and pellets.

The Coater utilizes a patented air guiding technology where the air is forced through the product bed as on the production coaters.



With interchangeable drums in varying executions, the VARIO is of utmost flexibility. The unit is mobile and it has its own independent air handling and exhaust.

Modell of DRIACOATER		DRC1200	DRC1600	DRC1600/1.25	DRC1900/1.8
Batch	[litre]	150	450	700	1.250
	[kg]	120	360	550	1.000
Drum diameter	[mm]	1.200	1.600	1.600	1.900
Drum length	[mm]	535	800	1.350	1850
Width	[mm]	1.600	2.400	2.400	2.500
Depth	[mm]	2.000	3.600	4.100	4.650
Height	[mm]	2.130	3.000	3.000	3.000
Weight	[kg]	1.700	4.500	5.500	7.800

Subject to technical alterations



**DRIAM's Lab Services & Training**

has extensive in-house lab testing services used to ensure our technology suits all your needs and surpassed all your expectations. The fully operational lab complete with a wide array of coating systems that consists of batch and continuous coating systems.

DRIAM is a global leader in the design and manufacture of coating systems for various solid dose applications. For the coating of tablets, capsules, softgels and pellets we offer a wide range of batch and continuous film coating solutions.

DRIAM is supporting the industries through a worldwide sales and service network out of the headquarters in Germany and from DRIAM USA located in Spartanburg, SC. Providing turnkey coating solutions is our core business and with this focus we have become one of the best known experts in the industry.

