

Continuous Coater - DRIACONTI-T pharma[®]
for continuous film coating

CONTINUOUS FILM COATING

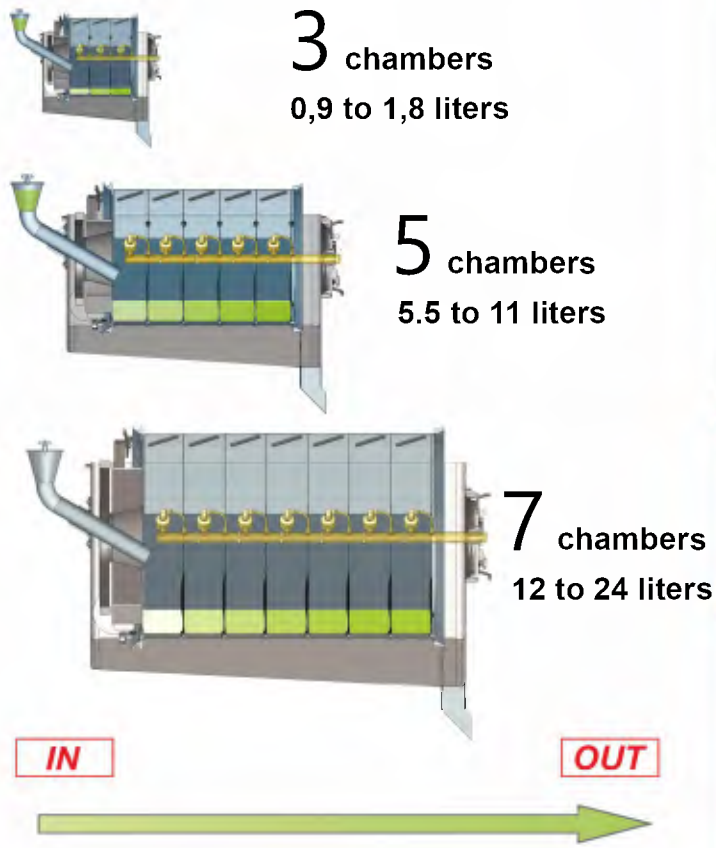
quality
CONTI
process



The Continuous Coater - DRIACONTI-T pharma® for continuous film coating

DRIACONTI-T pharma is a 'state of the art' continuous film coater representing a new generation of continuous coating technology. Our continuous coater has individual chambers where dedicated process steps are achieved. Through our 'mini-batch coating technology' the product flow is completely controlled which results in superior coating uniformity.

Independent Chambers allow for the tablets to be controlled throughout the coating process. In the first step of the process, the tablets are treated with warm dry air and weighed in the hopper. Next the tablets enter the first chamber to be coated. Each chamber has its own independent spray nozzle and pump making it possible to spray different solutions at various



Highly Flexible Coating is achieved using the Driaconti-T pharma coater. This highly flexible coater can handle complex coatings with throughputs ranging from 80 kgs – 300 kgs and more per hour. DRIAM also offers a mid-range machine capable of handling throughputs from 20 kgs - 50 kgs per hour. These throughputs are dependent on application and process

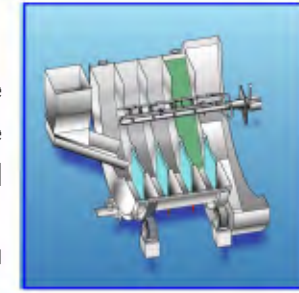


Customers enjoy these benefits by using the DRIACONTI-T technology:

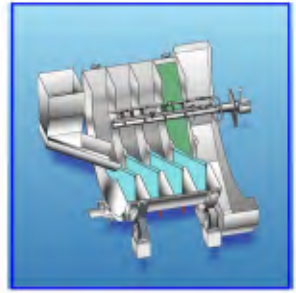
- Suitable for cosmetic and functional coating applications
- Exact guiding of the tablets creates high quality coating
- A perfectly controlled coating process
- Ability to handle multiple coating solutions in dedicated chambers
- No cross mixing by different coatings materials and no intermittent cleaning an on direction go through operation with dedicated chambers
- Endlessly extendable process time
- High coating uniformity of the tablets due to frequent presentation to the spray cone as using a low product bed depth
- Precision coating with very low deviation
- Faster process times due to shallow product bed
- Mini-batch process can be easily transferred from a batch process
- No start-up and shut-down issues
- Flexible recipe handling for various applications
- Various options for PAT systems and other options
- Superior scalability and easy validation
- Easy to clean due to the reduced length and accessibility of the equipment

Process and Transportation Phases

In the process phase of the coating operation the tablets are treated in each individual chamber for a set residence time. The chamber flaps are then opened to allow for each tablet to move into the next chamber for the next coating step.



Process Phase

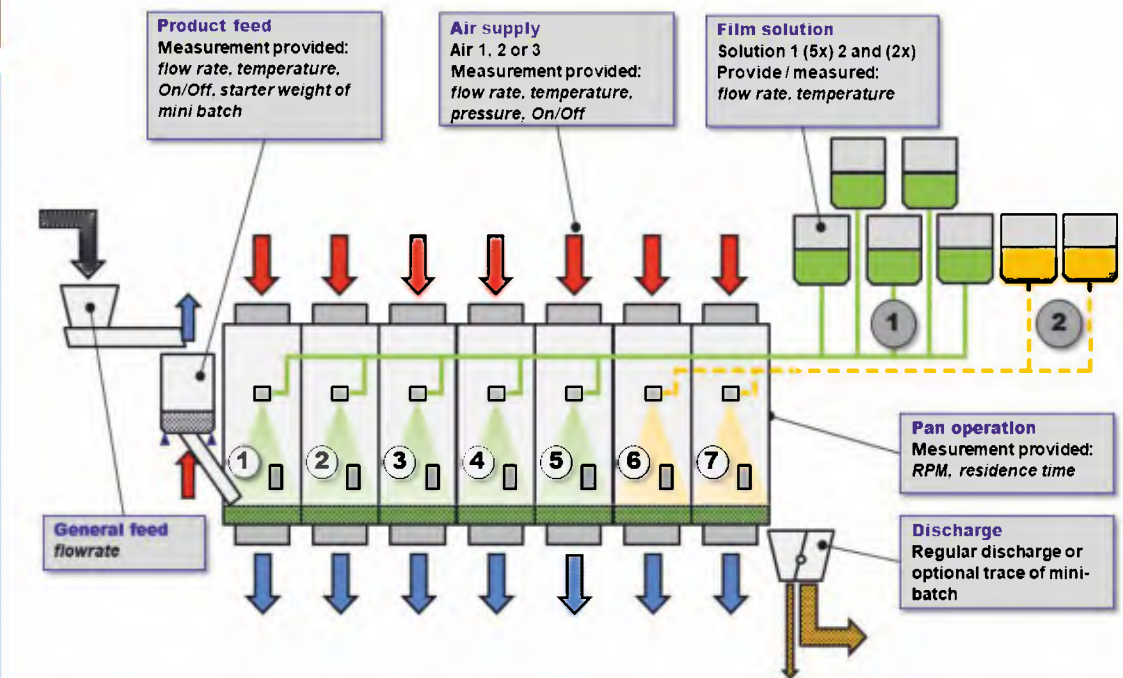


Transportation



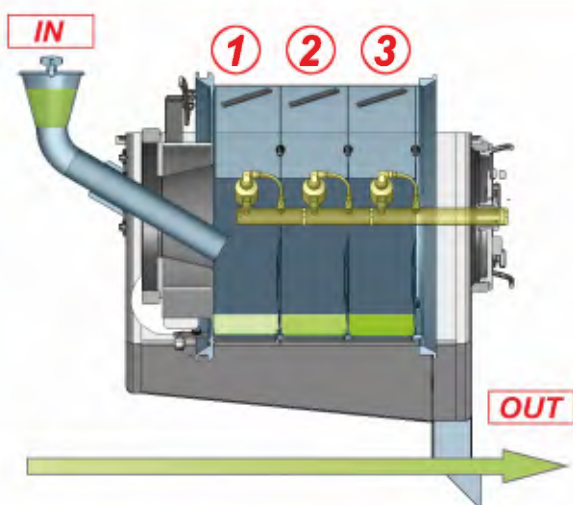
Shallow bed-depth creates very high coating uniformity

as the tablets are frequently exposed to the spray cone. Given that we are working with mini-batches, we provide with the a coater with an easy transition from a traditional batch manufacturing to the DRIACONTI-T continuous film coating process.



Critical Process Parameters (CPPs) are controllable for each chamber ensuring that your product is treated in ideal conditions. The ability to control all critical parameters in our continuous coater is what separates the DRIACONTI-T technology from existing coating technologies on the market.

The Continuous Coater - DRIACONTI-T pharma[®] for continuous film coating



The DRIACONTI-T pharma LAB continuous coater

is a highly flexible coater can handle complex coatings and cosmetic applications with throughputs ranging from 1 kg up to more than 30 kg dependig on the application and process parameters.

The machine shown has a very small footprint with its own independent air handling system. Critical Process Parameters (CPPs) are controllable in each of the (3) chambers, ensuring that your product is treated in the ideal conditions. The ability to control all critical parameters in our continuous coater is what separates the DRIACONTI-T technology from existing coating technologies on the market.



DRIAM's Lab Services and Training

DRIAM has extensive in-house lab testing services used to ensure our technology suits all your needs and surpasses all your expectations. Our solutions satisfy all International ISO Quality Standards, GMP, cGMP and CE standards. Fully operational lab complete with a wide array of coating systems that consist of batch and continuous coating systems.

DRIAM is a global leader in the design and manufacture of coating systems for various solid dosage applications. For the coating of tablets, capsules, softgels and pellets we offer a wide range of batch and continuous film coating solutions.

DRIAM is supporting the industries through a worldwide sales and service network out of the headquarters in Germany and from DRIAM USA located in Spartanburg, SC. Providing turnkey coating solutions is our core business and with this focus we have become one of the best known experts in the industry.

