

**The Batch Coater - DRIACOATER®  
for film coating and suspension applications**



# The Batch Coater - DRIACOATER® for film coating and suspension applications

## DRIACOATER® DRC1200 to DRC1900

Is a highly efficient coating system which is designed to fulfill the demands of the pharmaceutical industry while meeting all the pharmaceutical requirements.

Various options for film or suspension coating systems are available for all sizes of the DRIACOATER batch coater.

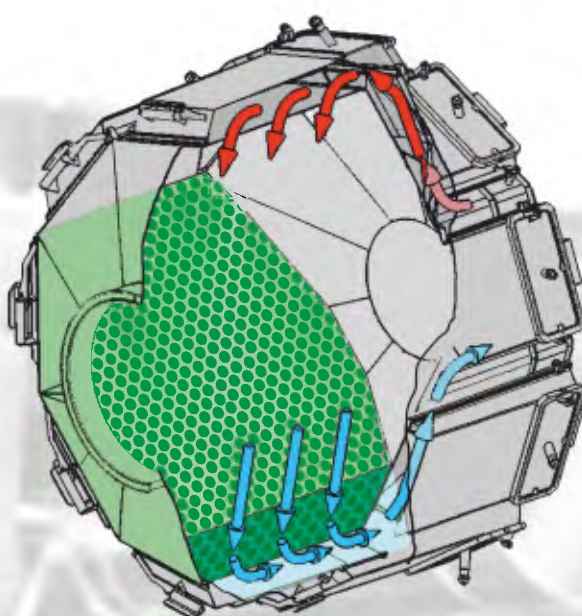
The processing equipment and all peripheral equipment such as the air handling, exhaust, solution tanks, dosing pumps, controls etc. are made to your requirements and specifications.

### Process and air handling in the DRIACOATER

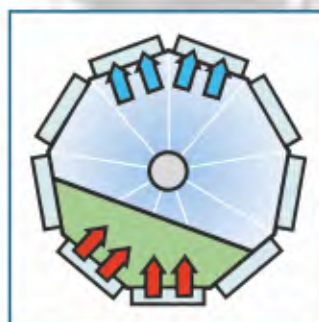
The air handling system has a tremendous impact on the coating quality, efficiencies and overall operating costs. Therefore the DRIACOATER has a 'state-of-the-art' air flow system that takes nearly 100% of the conditioned process air from the air handler and applies it evenly to all products being coated.

This efficiency is achieved by utilizing air channels on the perforated sections of the drum to force air through the entire product bed.

This level of control over the process air in the DRIACOATER reduces the coating process time and provides substantial cost savings over the entire life of the machine. For process benefits the air can be forced through the entire product bed in different directions.



**Direct air flow**  
from the top of the drum through the product bed



**Reverse air flow**  
from the bottom of the drum through the product bed



### Process Control DRIAMATIC

Control for the coating process is done by a programmable logic controller, optionally equipped with an IPC, touch panel or other execution.



### Loading and Discharge options

Various systems for loading and discharge of the DRIACOATER are available for your requirements.

### HEWIP High Efficiency Washing In Place

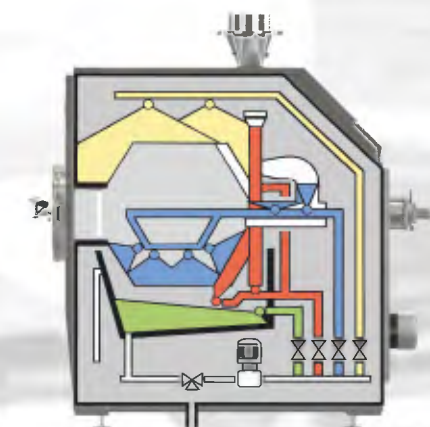
By its design and efficiency, the DRIACOATER cleaning system, which has been optimized over many years, takes the demands of a high level pharmaceutical cleaning system into account. Safe and automatic cleaning of the installation is guaranteed by using strategically placed spray nozzles to clean all relevant inner and outer surfaces of the pan. Recipe driven automation ensures tough and consistent cleaning. Once the drying phase is complete, the coater is ready for the next batch.

The perforated pan rotates in the washing chamber of the machine which completely cleans the pan. All surfaces are presented to the cleaning nozzles for the entire cleaning which is finished with the drying step.

### Cleaning process

Recipe driven cleaning of the DRIACOATER is divided into a few steps:

1. Drum inside by cleaning spray arm
2. Drum outside, air distribution and housing
3. Air channels inside
4. Cleaning tub for circulation



A user friendly graphic display allows for easy supervision of the process from the master IPC.



### Hygiene air ducts

During the cleaning process the air ducts can easily be removed completely to accelerate the cleaning process.

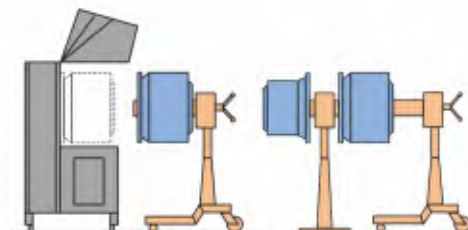
- » Operation
- » Documentation
- » Process monitoring
- » Visualization
- » Flexible data administration

# The Batch Coater - DRIACOATER® for film coating and suspension applications



**DRIACOATER 500/600 vario** is a lab coater for film and suspension coating of tablets, capsules, granules, and pellets. As any DRIACOATER the coater utilizes a patented air guiding technology where the air is forced through the entire product bed. With interchangeable drums in varying executions, the coater is

of utmost flexibility. The unit is mobile and it has its own independent air supply and exhaust.



Model of DRIACOATER		DRC1200	DRC1600	DRC1600/1.25	DRC1900/1.8
Batch	[litre]	150	450	625	1.350
	[kg]	120	360	500	1.080
Drum diameter	[mm]	1.200	1.600	1.600	1.900
Drum length	[mm]	535	800	1.350	1850
Width	[mm]	1.600	2.400	2.400	2.500
Depth	[mm]	2.000	3.600	4.100	4.650
Height	[mm]	2.130	3.000	3.000	3.000
Weight	[kg]	1.700	4.500	5.500	7.800

Subject to technical alterations



## DRIAM's Lab Services and Training

DRIAM has extensive in-house lab testing services used to ensure our technology suits all your needs and surpasses all your expectations. Our solutions satisfy all International ISO Quality Standards, GMP, cGMP and CE standards. Fully operational lab complete with a wide array of coating systems. that consist of batch and continuous coating systems.

DRIAM is a global leader in the design and manufacture of coating systems for various solid dosage applications. For the coating of tablets, capsules, softgels and pellets we offer a wide range of batch and continuous film coating solutions.

DRIAM is supporting the industries through a worldwide sales and service network out of the headquarters in Germany and from DRIAM USA located in Spartanburg, SC. Providing turnkey coating solutions is our core business and with this focus we have become one of the best known experts in the industry.

