

**Continuous Coater - DRIACONTI-T[®] pharma LAB
for continuous film coating and multi layer applications**

CONTINUOUS FILM COATING

**quality
CONTI
process**



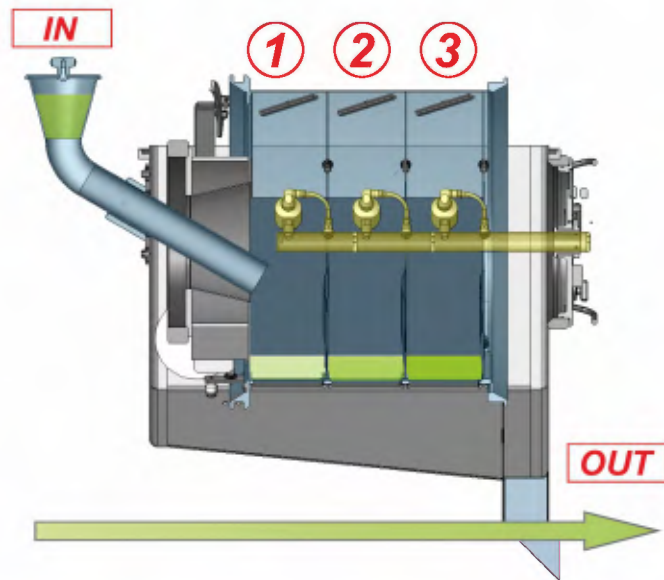
The Continuous Coater - DRIACONTI-T[®] pharma LAB for complex continuous film coating

DRIACONTI-T pharma LAB[®]

is a 'state of the art' continuous film coater representing a new generation of continuous coating technology. Our continuous coater has individual chambers where dedicated process steps are achieved.

Through our 'mini-batch' coating technology the product flow is completely controlled which results in superior coating uniformity.

Independent Chambers allow for the tablets to be controlled throughout the coating process. In the first step of the process, the tablets are treated with warm dry air and weighed in the hopper. Next the tablets enter the first chamber to be coated. Each chamber has its own independent spray nozzle and pump making it possible to spray different solutions at various rates.

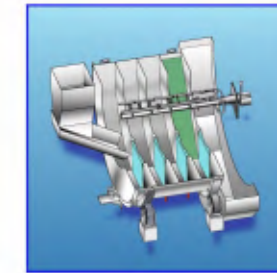


Highly Flexible Precision Coating is achieved using the DRIACONTI-T pharma LAB coater. This highly flexible coater can handle complex coatings with throughputs ranging from 1 kg up to more than 30 kg dependig on the application and process parameters.

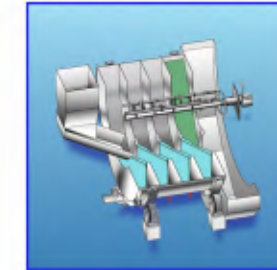


Customers enjoy these benefits by using the DRIACONTI-T technology:

- Suitable for cosmetic and functional coating applications
- Exact guiding of the tablets creates high quality coating
- A perfectly controlled coating process
- Ability to handle multiple coating solutions in dedicated chambers
- No cross mixing by different coatings materials and no intermittent cleaning an on direction go through operation with dedicated chambers
- Endlessly extendable process time
- High coating uniformity of the tablets due to frequent presentation to the spray cone as using a low product bed depth
- Precision coating with very low deviation
- Faster process times due to shallow product bed
- Mini-batch process can be easily transferred from a batch process
- No start-up and shut-down issues
- Flexible recipe handling for various applications
- Various options for PAT systems and other options
- Superior scalability and easy validation



Process Phase

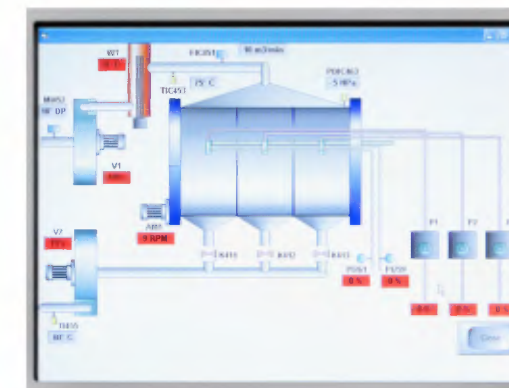
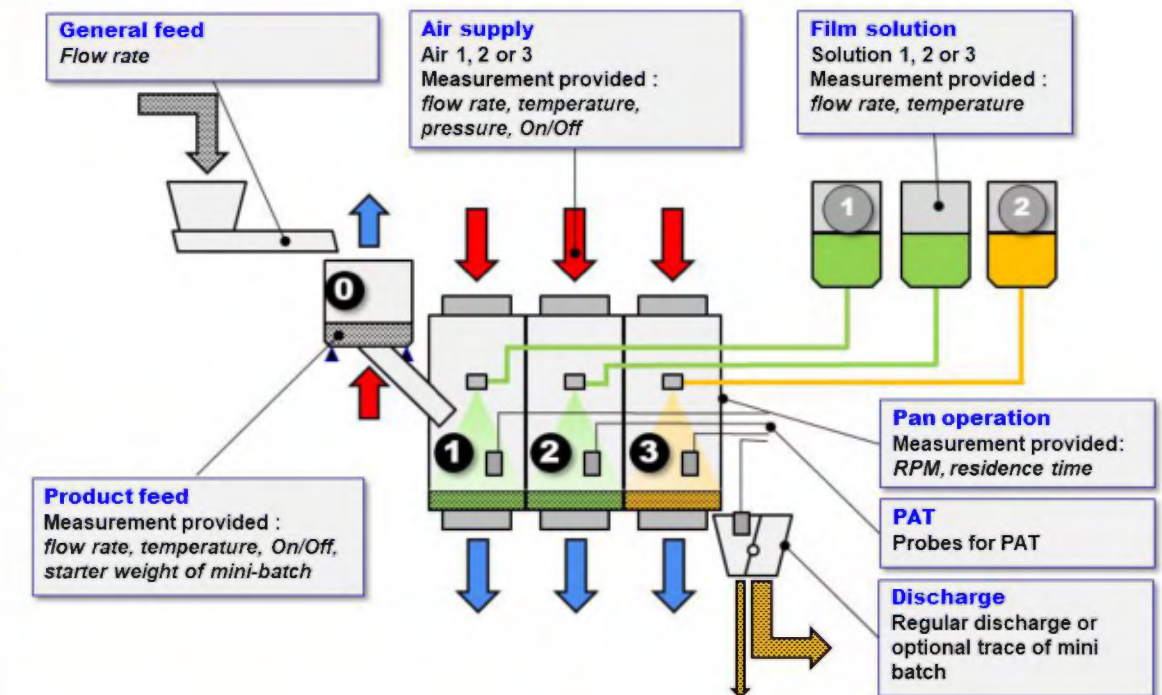


Transportation Phase

Process and Transportation Phases

In the process phase of the coating operation the tablets are treated in each individual chamber for a set residence time.

The chamber flaps are then opened to allow for each tablet to move into the next chamber for the next coating step.



Critical Process Parameters (CPPs)

are controllable for each chamber ensuring that your product is treated in the ideal conditions. The ability to control all critical parameters in our continuous coater is what separates the DRIACONTI-T technology from existing coating technologies on the market.

DRIACONTI-T® for continuous film coating and multi layer applications



Highly Flexible Film Coating is achieved using DRIACONTI-T pharma continuous film coaters. The coater shown can handle complex coatings with throughputs ranging from 80 kg to 300 kg per hour and has seven (7) independent operating chambers to perfectly coat the product. Continuous coaters with lower or higher throughput are available and vary in the number of chambers and size.

DRIAM's Lab Services and Training

DRIAM has extensive in-house lab testing services used to ensure our technology suits all your needs and surpasses all your expectations. Our solutions satisfy all International ISO Quality Standards, GMP, cGMP and CE standards. Fully operational lab complete with a wide array of coating systems that consist of batch and continuous coating systems.



DRIAM is a global leader in the design and manufacture of coating systems for various solid dosage applications. For the coating of tablets, capsules, softgels and pellets we offer a wide range of batch and continuous film coating solutions.

DRIAM is supporting the industries through a worldwide sales and service network out of the headquarters in Germany and from DRIAM USA located in Spartanburg, SC. Providing turnkey coating solutions is our core business and with this focus we have become one of the best known experts in the industry.

