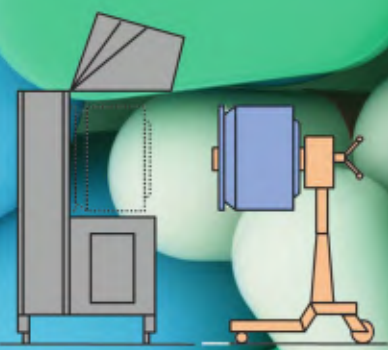


DRIACOATER DRC500/600vario[®] for film and suspension coating of tablets, capsules, granules and pellets



DRIACOATER DRC500/600vario® for film and suspension coating of tablets, capsules, granules and pellets

DRIACOATER DRC500/600vario

is a state-of-the-art batch coater for film and suspension coating of tablets, capsules, granules, and pellets.

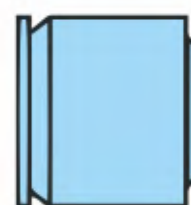
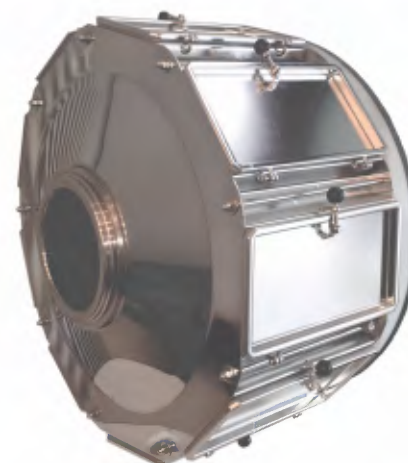
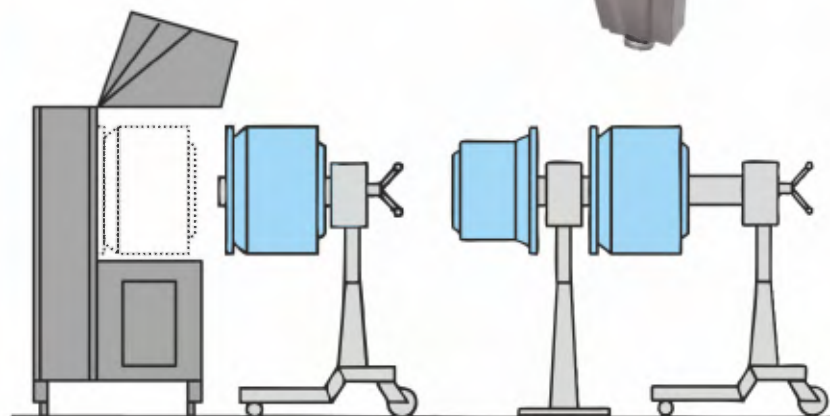
The VARIO utilizes a patented air guiding technology where the air is forced through the product bed using air channels. These channels reduce the drying time, increase overall efficiency, and allow for various air flows.

With interchangeable drums in varying executions, the VARIO is of utmost flexibility. The unit is mobile and it has its own independent air handling and exhaust. The machine is offered in explosion proof execution.

The DRIACOATER DRC 500/600 VARIO is a highly flexible coating system that has the ability to handle batches ranging from 2 liters to 36 liters. This mobile unit is on lockable castors and it has its own independent air handling, exhaust system, and heating coil.

The VARIO has 5 interchangeable drums with volumes of 2 liters, 6.5 liters, 13 liters, 25 liters, and 36 liters. Each drum can be easily removed and installed using the DRIAM drum exchange trolley. The trolley is also ideal for storage of spare drums.

The air handling system and exhaust for the VARIO are integrated within the overall housing so that it is completely self-contained.



30 kg



20 kg



10 kg



5 kg

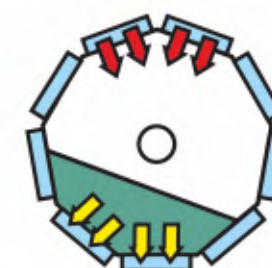


2 kg

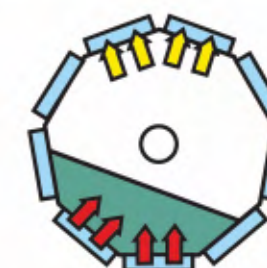
Air flow and air flow direction

The DRIACOATER DRC 500/600 VARIO has a patented air guiding system which provides superior control of the process air during the coating process. Using air channels developed by DRIAM, the VARIO forces the process air through the product bed which increases the drying efficiency of the system.

In addition to being able to force the air through the product bed, the system is also capable of changing the flow of the process air. The VARIO can handle direct air flow, reverse air flow, and reverse air flow exhausting through a hollow shaft. The ability gives the unit excellent flexibility and control.



Direct air flow
from the top of the drum through the product bed



Reverse air flow
from the bottom of the drum through the product bed



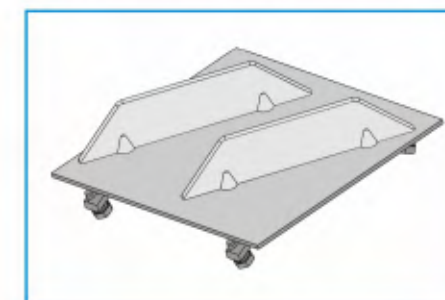
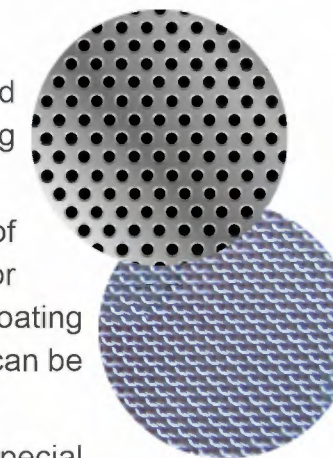
Reverse axial flow
from the bottom of the drum through the product to the hollow shaft

Inserts for tablet and pellet coating

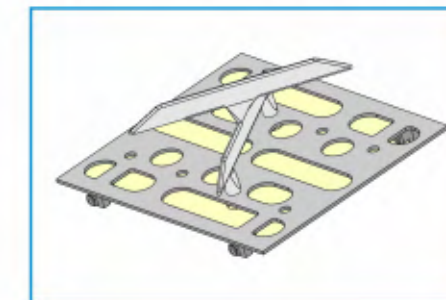
The DRIACOATER VARIO can also be equipped with various inserts for special coating applications.

Aside from standard film coating applications of tablets, the VARIO is also commonly used for pellet coating applications. The drums for pellet coating have a fine mesh to ensure that small particles can be coated efficiently.

Inserts with various baffle arrangements for special coating applications are available. All contact parts are made from 316L stainless steel and approved material for pharmaceutical production.



Inserts for tablet coating
For standard tablet coating perforated plates are used with 3mm holes



Inserts for pellet coating
For coating of pellet products special gaze inserts might be required

Type	Batch [kg]	Batch [liter]	Diameter [mm]	Length [mm]
500/100	2	2.6	500	100
500/160	5	6.5	500	160
500/310	10	13.0	500	310
600/310	20	25.0	600	310
600/460	30	36.0	600	460

based on a density of 0.8 kg/liter
All data are subject to technical alterations

DRIACOATER DRC500/600vario® for film and suspension coating of tablets, capsules, granules and pellets



The controls for the coater are easily accessible from the front of the unit and varying levels of controls are offered in order to meet your demands. Allen Bradley or Siemens controls are available depending on your preferences. Explosion proof executions, interfaces or IT documentation upon request.

Various options are available for the VARIO coating system including:

- Various pan sizes
- Special perforation sizes and drum inserts
- Numerous designs of dosing and spraying equipment
- Multiple levels of controls by Siemens and Allen Bradley
- Automated CIP systems
- Explosion proof systems for handling of organic solvents
- Both basic and specialized air handlers
- External air filters
- External illumination
- Wide range of sensors
- ...



In the case of film coating the VARIO is typically equipped with Schlick ABC nozzles but other nozzle types can also be installed. DRIAM also offers automatic dosing system to go along with a coater.

DRIAM offers...

... validation documentation support, installation, and training with all of their coaters. Highly skilled technicians are readily available to be at your facility for service, repair, and training.

Testing and process optimization are offered by DRIAM to ensure you have the right coating technology, process, and parameters to be most successful in your coating project.



DRIAM's Lab Services and Training

DRIAM has extensive in-house lab testing services used to ensure our technology suits all your needs and surpasses all your expectations.

Our solutions satisfy all International ISO Quality Standards, GMP, cGMP and CE standards. Fully operational lab complete with a wide array of coating systems. that consist of batch and continuous coating systems.

DRIAM is a global leader in the design and manufacture of coating systems for various solid dosage applications. For the coating of tablets, capsules, softgels and pellets we offer a wide range of batch and continuous film coating solutions.

DRIAM is supporting the industries through a worldwide sales and service network out of the headquarters in Germany and from DRIAM USA located in Spartanburg, SC. Providing turnkey coating solutions is our core business and with this focus we have become one of the best known experts in the industry.

